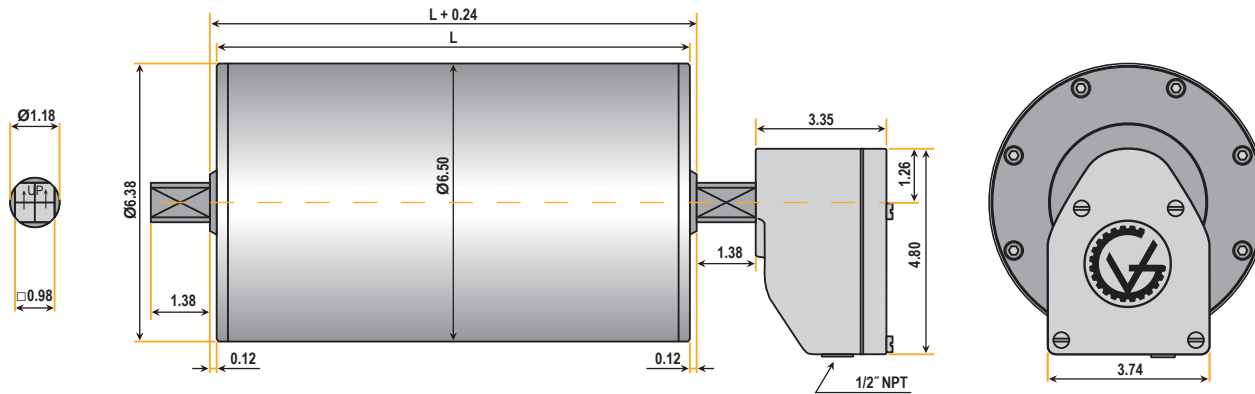


TM160B30 Drum Motor (matching Idler KT160B30)**

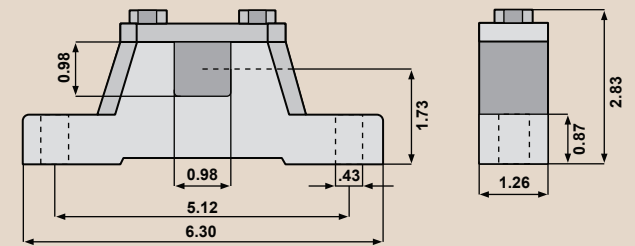


Standard face widths* (L) in inches:

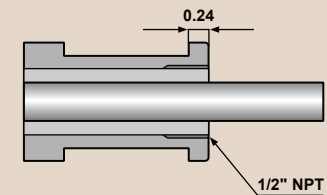
15.75	16.73	17.72	19.69	21.65	23.62	25.59	27.56	29.53
31.50	33.46	35.43	37.40	39.37	41.34	43.31	45.28	47.24

TM160A30 Drum Motor and KT160A30 Idler available upon request.

Bracket AB 30



Optional Cable Type



Note: When Optional Cable Type is selected, the minimum face width (L) increases by 1.969 inches.

*Some face widths are not available in all horsepower. For minimum available face widths refer to page 19.

**Idler dimensions are identical to the drum motor with no junction box.

TM160 SERIES (6.5" diameter)



SPECIFICATIONS

3.0 HP

V (ft/min) M/G	945 2/S2	803 2/S2	661 2/S2	614 2/S2	496 2/S2	402 2/S2	331 2/S2	307 2/S2	283 2/S2	272 2/S2	236 2/S2	213 2/S2	201 2/S2	189 2/S2
Belt Pull (lbs)	97	152	139	151	186	230	280	301	325	339	391	434	460	488
Drum RPM	556	472	389	361	292	236	195	181	167	160	139	125	118	111

2.0 HP

V (ft/min) M/G	945 2/S2	803 2/S2	661 2/S2	614 2/S2	591 4/S2	496 4/S2	425 4/S2	402 2/S2	378 4/S2	331 2/S2	307 4/S2	283 2/S2	272 2/S2	260 4/S2	236 2/S2
Belt Pull (lbs)	66	79	95	103	107	127	148	157	166	191	205	223	232	242	266
Drum RPM	556	472	389	361	347	292	250	236	222	195	181	167	160	153	139
V (ft/min) M/G	213 2/S2	201 4/S2	189 4/S2	177 4/S2	165 4/S2	154 4/S2	142 4/S2	130 4/S2	108 2/PL2	87 2/PL2					
Belt Pull (lbs)	296	313	333	355	381	410	444	484	560	560					
Drum RPM	125	118	111	104	97	90	83	76	64	51					

1.5 HP

V (ft/min) M/G	472 4/S2	402 4/S2	331 4/S2	295 4/S2	260 4/S2	201 4/S2	165 4/S2	154 4/S2	142 4/S2	130 4/S2	118 4/S2	106 4/S2	94 4/S2
Belt Pull (lbs)	98	115	139	156	178	230	280	301	325	355	391	434	489
Drum RPM	278	236	195	174	153	118	97	90	83	76	69	63	56

1.0 HP

V (ft/min) M/G	472 4/S2	402 4/S2	331 4/S2	295 4/S2	260 4/S2	201 4/S2	177 4/S2	165 4/S2	154 4/S2	142 4/S2	130 4/S2	118 4/S2	106 4/S2	94 4/S2	80 4/S2
Belt Pull (lbs)	66	79	95	107	122	157	178	191	205	223	242	266	296	333	392
Drum RPM	278	236	195	174	153	118	104	97	90	83	76	69	63	56	47
V (ft/min) M/G	54 4/PL2														
Belt Pull (lbs)	561														
Drum RPM	32														

0.75 HP

V (ft/min) M/G	472 4/S2	402 4/S2	331 4/S2	295 4/S2	260 4/S2	201 4/S2	177 4/S2	165 4/S2	130 4/S2	154 4/S2	118 4/S2	106 4/S2	94 4/S2	80 4/S2	73 4/S2
Belt Pull (lbs)	49	57	70	79	89	115	130	139	178	150	195	217	244	287	315
Drum RPM	278	236	195	174	153	118	104	97	76	90	69	63	56	47	43
V (ft/min) M/G	43 4/PL2														
Belt Pull (lbs)	525														
Drum RPM	25														

V = Belt Speed (ft/min)

M/G = Motor/Gear Reducer Configuration (at rated horsepower)

High Speed
Low Torque



Low Speed
High Torque