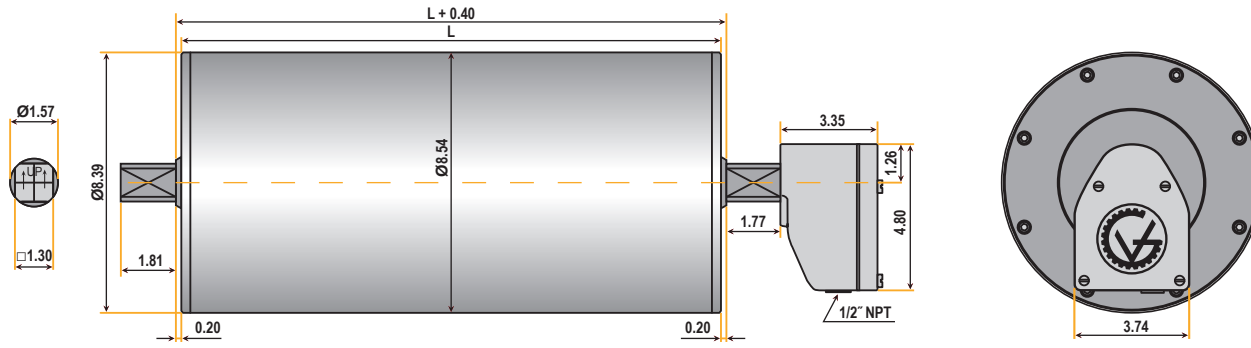


TM215B40 Drum Motor (matching Idler KT215B40)**

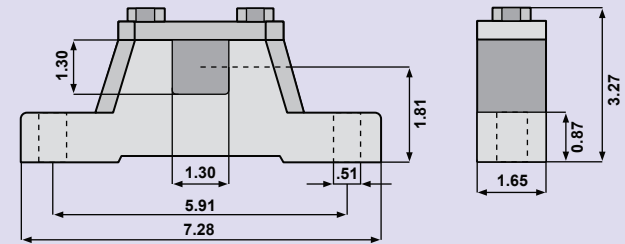


Standard face widths* (L) in inches:

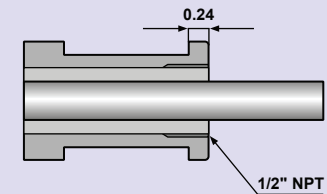
19.69	21.65	23.62	25.59	27.56	29.53	31.50	33.46	35.43
37.40	39.37	41.34	43.31	45.28	47.24			

TM215A40 Drum Motor and KT215A40 Idler available upon request.

Bracket AB 40



Optional Cable Type



Note: When Optional Cable Type is selected, the minimum face width (L) increases by 1.969 inches.

*Some face widths are not available in all horsepower. For minimum available face widths refer to page 19.

**Idler dimensions are identical to the drum motor with no junction box.

TM215 SERIES (8.5" diameter)



SPECIFICATIONS

7.5 HP

V (ft/min) M/G	1117 2/S2	912 2/S2	821 2/S2	657 2/S2	583 2/S2	547 2/S3	465 2/S2	403 2/S2	358 2/S2	335 2/S2	310 2/S2	255 2/S2	228 2/S3	142 2/PL2	129 2/PL2
Belt Pull (lbs)	198	243	270	337	285	405	476	549	618	662	715	651	972	1559	1714
Drum RPM	504	412	371	297	263	247	210	182	162	151	140	115	103	64	58

5.0 HP

V (ft/min) M/G	1117 2/S2	912 2/S2	821 2/S2	657 2/S2	583 2/S2	547 2/S3	465 2/S2	403 2/S2	358 2/S2	335 2/S2	310 2/S2	275 4/S3	255 2/S2	238 2/S2	234 4/S2
Belt Pull (lbs)	162	198	220	275	310	331	389	449	506	540	584	598	710	760	703
Drum RPM	503	411	370	296	263	246	209	182	161	151	140	124	115	107	105
V (ft/min) M/G	228 2/S3	221 2/S3	202 4/S3	198 2/S3	162 2/S3	142 2/PL2	129 2/PL2	114 4/S3	71 4/PL2	65 4/PL2					
Belt Pull (lbs)	794	819	815	914	1117	1275	1403	1443	2317	2531					
Drum RPM	103	100	91	89	73	64	58	51	32	29					

3.0 HP

V (ft/min) M/G	679 4/S2	559 4/S2	483 4/S2	398 4/S2	325 4/S2	293 4/S2	233 4/S2	234 4/S2	208 4/S2	202 4/S2	166 4/S2	155 4/S2	144 4/S2	128 4/S2	119 4/S2
Belt Pull (lbs)	130	158	183	222	272	302	379	377	425	437	533	569	614	692	741
Drum RPM	307	253	218	180	147	132	105	106	94	91	75	70	65	58	54
V (ft/min) M/G	114 4/S3	99 4/S3	81 4/S3	71 4/PL2	70 4/S3	65 4/PL2	63 4/S3	47 6/PL2	43 6/PL2						
Belt Pull (lbs)	774	893	1087	1241	1254	1365	1412	1887	2075						
Drum RPM	52	45	37	32	32	29	28	21	19						

2.0 HP

V (ft/min) M/G	685 4/S2	564 4/S2	488 2/S2	402 4/S2	376 6/S2	328 4/S2	295 4/S2	236 4/S2	210 4/S2	204 4/S2	197 6/S2	185 4/S2	167 4/S2	157 6/S2	145 4/S2
Belt Pull (lbs)	82	99	115	140	164	171	190	237	267	275	314	304	335	394	386
Drum RPM	309	255	220	181	170	148	133	107	95	92	89	83	76	71	65
V (ft/min) M/G	136 6/S2	129 4/S2	120 4/S2	111 4/S2	104 6/S2	97 6/S2	86 6/S2	77 6/S3	71 4/S3	67 6/S3	55 6/S3	48 6/PL2	47 6/S3	44 6/PL2	
Belt Pull (lbs)	455	435	466	503	592	639	719	805	789	928	1131	1291	1304	1419	
Drum RPM	61	58	54	50	47	44	39	35	32	30	25	22	21	20	

V = Belt Speed (ft/min)

M/G = Motor/Gear Reducer Configuration (at rated horsepower)

High Speed
Low Torque



Low Speed
High Torque