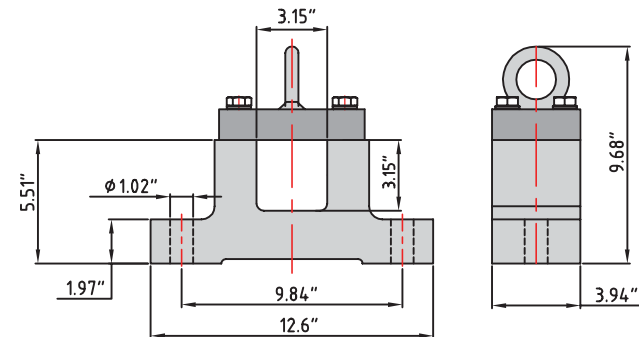


Standard face widths* (L) in inches:

- 38.0 44.0 50.0 56.0 62.0 68.0 74.0

Bracket AB 100



*Some face widths are not available in all horsepower. For minimum available face widths refer to page 12.

**Idler dimensions are identical to the drum motor with no junction box.

75 HP

V (ft/min) M/G	600 2/PL2	500 2/PL2	400 2/PL2
Belt Pull (lbs)	3919	4703	5878
Drum RPM	115	95	76

60 HP

V (ft/min) M/G	600 2/PL2	500 2/PL2	400 2/PL2	300 4/PL2	250 4/PL2
Belt Pull (lbs)	3135	3762	4703	6200	7500
Drum RPM	115	95	76	57	48

50 HP

V (ft/min) M/G	600 2/PL2	500 2/PL2	400 2/PL2	300 4/PL2	250 4/PL2	200 4/PL2
Belt Pull (lbs)	2613	3135	3919	5224	6270	7840
Drum RPM	115	95	76	57	48	38

40 HP

V (ft/min) M/G	300 4/PL2	250 4/PL2	200 4/PL2
Belt Pull (lbs)	4180	5000	6270
Drum RPM	57	48	38

30 HP

V (ft/min) M/G	300 4/PL2	250 4/PL2	200 4/PL2
Belt Pull (lbs)	3100	3760	4700
Drum RPM	57	48	38

25 HP

V (ft/min) M/G	300 4/PL2	250 4/PL2	200 4/PL2
Belt Pull (lbs)	2612	3135	3920
Drum RPM	57	48	38

20 HP

V (ft/min) M/G	200 6/PL2	150 6/PL2	120 6/PL2
Belt Pull (lbs)	3330	4100	4850
Drum RPM	38	29	23

V = Belt Speed (ft/min)

M/G = Motor/Gear Reducer Configuration (at rated horsepower)

High Speed
Low Torque



Low Speed
High Torque