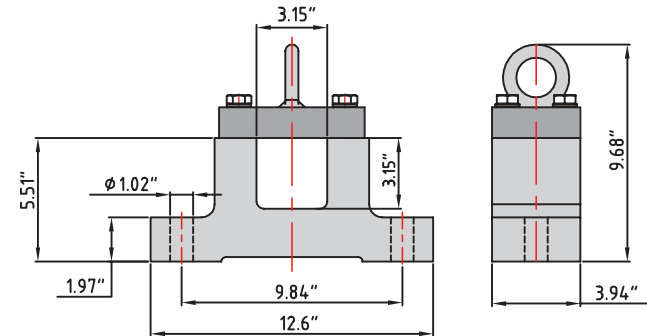


Standard face widths* (L) in inches:

- 38.0 44.0 50.0 56.0 62.0 68.0 74.0

Bracket AB 100



*Some face widths are not available in all horsepower. For minimum available face widths refer to page 12.

**Idler dimensions are identical to the drum motor with no junction box.

TM800A100 SERIES (31.5" diameter)



SPECIFICATIONS

75 HP

V (ft/min) M/G	960 2/PL2	800 2/PL2	640 2/PL2	480 4/PL2
Belt Pull (lbs)	2449	2939	3674	4898
Drum RPM	116	97	78	58

60 HP

V (ft/min) M/G	960 2/PL2	800 2/PL2	640 2/PL2	480 4/PL2	400 4/PL2
Belt Pull (lbs)	1959	2351	2939	3875	4688
Drum RPM	116	97	78	58	49

50 HP

V (ft/min) M/G	960 2/PL2	800 2/PL2	640 2/PL2	480 4/PL2	400 4/PL2	320 4/PL2
Belt Pull (lbs)	1633	1959	2449	3265	3919	4900
Drum RPM	116	97	78	58	49	39

40 HP

V (ft/min) M/G	480 4/PL2	400 4/PL2	320 4/PL2
Belt Pull (lbs)	2613	3125	3919
Drum RPM	58	49	39

30 HP

V (ft/min) M/G	480 4/PL2	400 4/PL2	320 4/PL2
Belt Pull (lbs)	1938	2350	2938
Drum RPM	58	49	39

25 HP

V (ft/min) M/G	480 4/PL2	400 4/PL2	320 4/PL2
Belt Pull (lbs)	1633	1959	2450
Drum RPM	58	49	39

20 HP

V (ft/min) M/G	320 6/PL2	240 6/PL2	192 6/PL2
Belt Pull (lbs)	1306	1563	1959
Drum RPM	39	29	23

V = Belt Speed (ft/min)

M/G = Motor/Gear Reducer Configuration (at rated horsepower)

High Speed
Low Torque



Low Speed
High Torque