

Shafts: 2.5" Diameter

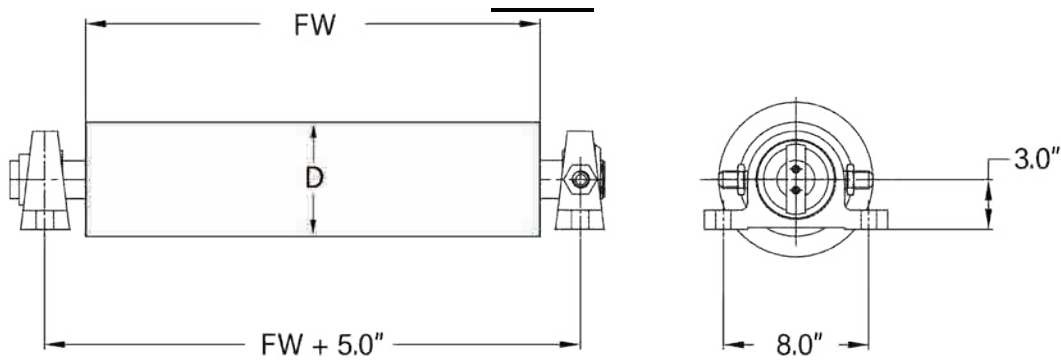
Motor: Parker TG Series

Hydraulic Connection: Male JIC #8 (1/2")

HYDRAULIC PRESSURE		1000	1500	2000
25 cu in motor Torque		3300 in lbs	5000 in lbs	7000 in lbs
D = 8.5"	Belt Pull (lbs)...	776	1176	1645
D = 10.5"	"	628	925	1333
D = 12.5"	"	528	800	1120
48 cu in motor Torque		6500 in lbs	10,000 in lbs	N/A
D = 8.5"	Belt Pull (lbs)...	1530	2352	-
D = 10.5"	"	1238	1904	-
D = 12.5"	"	1040	1600	-

*Above pull forces are calculated at outside diameter of the roller. Lagging & sprockets installed on the roller will reduce the pull force. To calculate pull force with sprockets, use the pitch diameter as O.D. Given torque values are for average RPM

PILLOW BLOCK BEARING



FLANGE BEARING

