

**Shafts:** 1.0" Diameter

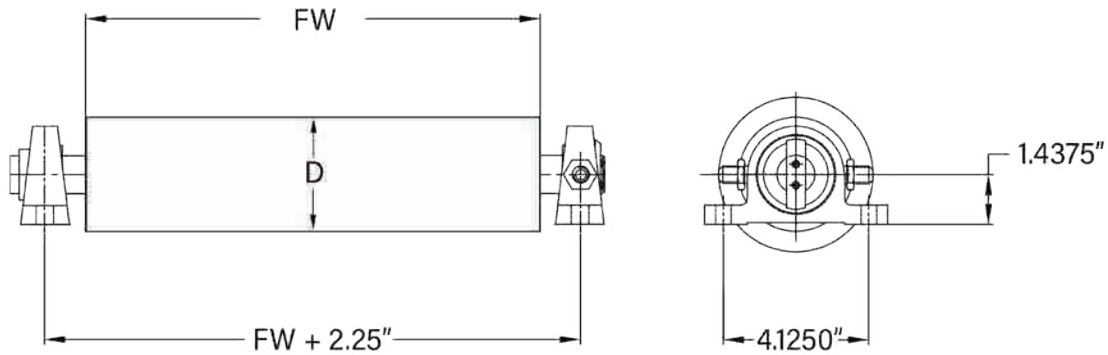
**Motor:** Danfoss OMM Series

**Hydraulic Connection:** Male JIC #4 (1/4")

<b>HYDRAULIC PRESSURE</b>		<b>1000</b>	<b>N/A</b>	<b>N/A</b>
<b>3 cu in motor</b>	<b>Torque</b>	<b>400 in lbs</b>	<b>N/A</b>	<b>N/A</b>
D = 2.8"	Belt Pull (lbs)...	285	-	-
	"			
	"			

\*Above pull forces are calculated at outside diameter of the roller. Lagging & sprockets installed on the roller will reduce the pull force. To calculate pull force with sprockets, use the pitch diameter as O.D. Given torque values are for average RPM

### PILLOW BLOCK BEARING



### FLANGE BEARING

